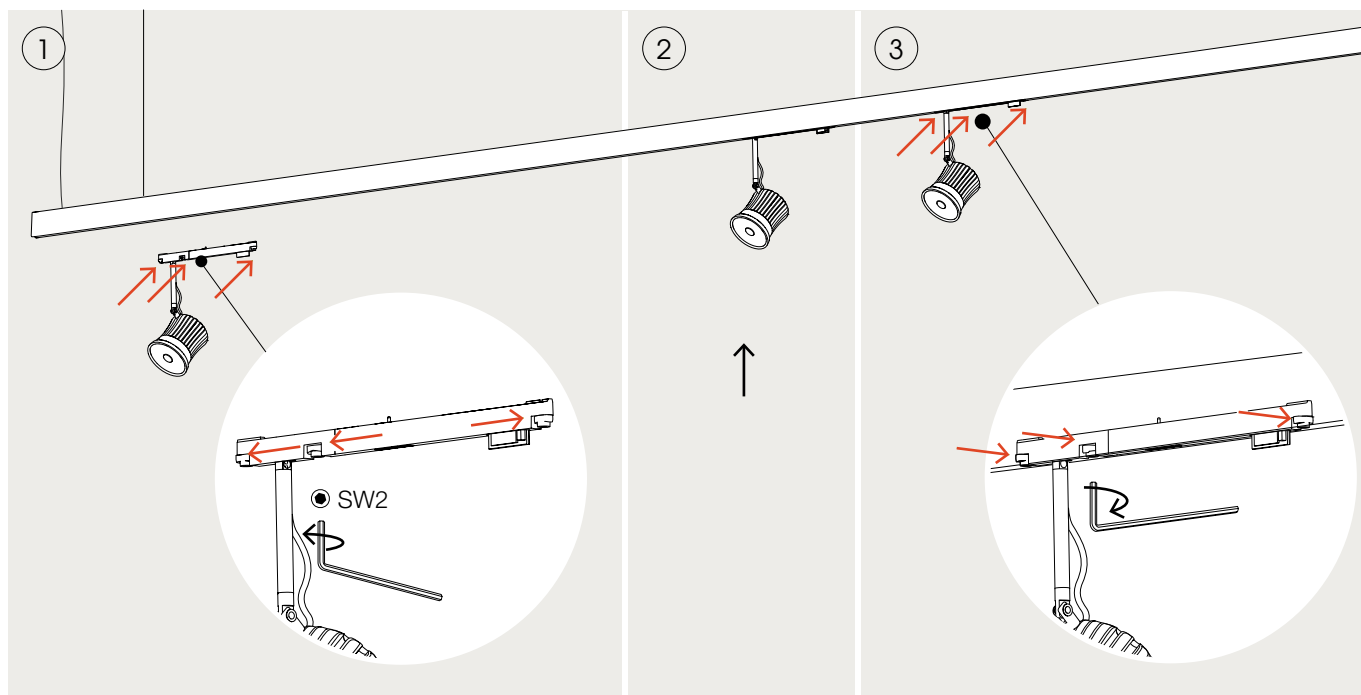


fifty & thirty-five with a hide adapter

We have been producing our highly original track system since 1989. The trend towards digital lighting control gave rise to the development of Sense System (48 V) in 2016. Sense System is based on the LightLight system and enables all aspects of digital lighting control using Bluetooth wireless technology. The luminaires and other devices applied on the track are operated via the system-relevant adapters.

Sense System luminaires with a hide adapter need to be locked into place on the track using an allen key (size 2). The hide adapter comprises the electronics required for the operation of the system (the driver) and for the control of the LEDs (switching and dimming via Bluetooth).

LightLight luminaires (12 V) cannot be operated on Sense System (48 V) track. That said, LightLight systems can be converted to meet 48 V Sense System electronics, if inspected by a qualified electrician. Feel free to contact us: together we can determine what steps are required to convert your system.



Sense System has a protective low operating voltage of 48 V. System luminaires can also be mounted when the track is connected to the power supply. That is to say, the luminaires can be **hot-plugged****. Mounting or removing luminaires should only be undertaken after being initially instructed by a qualified professional. Please **observe the maximum load*****.

Optional: apply shade, if required, before mounting the luminaire on the track.

Applying the luminaires: luminaires with a hide adapter have 3 locking screws. Before being inserted into the track, these need to be positioned with the long side parallel (0°) to the track. Lock into place on the track using an allen key (size 2). Insert the luminaire into the track system where required. The hide adapter is thus also incorporated into the track.

Lock into place: using an allen key, turn all 3 locking screws into place at right angles to the track. Once the luminaire has been locked into place it can no longer be moved along the track.

Since it has been hot-plugged, **the spotlight switches on immediately** and can be **configured for the network**.

Casambi: lighting control via Bluetooth Mesh Casambi.

Xicato: lighting control via Bluetooth Mesh Xicato Controls.

Basic on/off: without lighting control the luminaires cannot be dimmed.

Removing the luminaire: to reposition or remove the luminaire it must be extracted from the track. This is done using an allen key (size 2) to turn all 3 locking screws in the adapter back 90° so that the long side is parallel to the track.

Sense System
48 V DC



apply shade
See page 4.

buschfeld x Casambi / 1st steps
<https://buschfeld.de/en/how-it-works/48112>

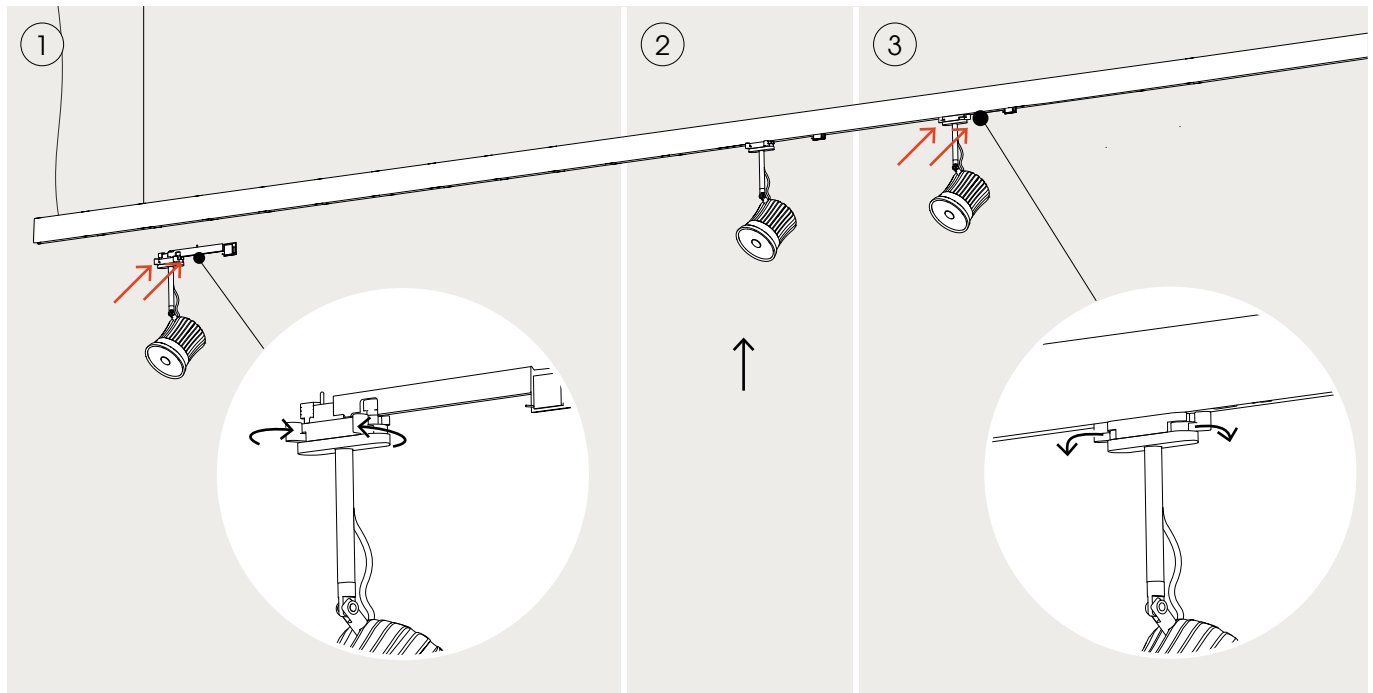
<https://buschfeld.de/en/how-it-works/48113>



fifty & thirty-five Luminaires with a light grey / black adapter black

We have been producing our highly original track system since 1989. The trend towards digital lighting control gave rise to the development of Sense System (48 V) in 2016. Sense System is based on the LightLight system and enables all aspects of digital lighting control using Bluetooth wireless technology. The luminaires and other devices applied on the track are operated via the system-relevant adapters.

LightLight luminaires (12 V) cannot be operated on Sense System (48 V) track. That said, LightLight systems can be converted to meet 48 V Sense System electronics, if inspected by a qualified electrician. Feel free to contact us: together we can determine what steps are required to convert your system.



Sense System has a protective low operating voltage of 48 V. System luminaires can also be mounted when the track is connected to the power supply. That is to say, the luminaires can be **hot-plugged****. Mounting or removing luminaires should only be undertaken after being initially instructed by a qualified professional. Please **observe the maximum load*****.

Sense System
48 V DC



Optional: apply shade, if required, before mounting the luminaire on the track.

apply shade
See page 4.

Applying the luminaires: luminaires with a light grey / black adapter have 2 lateral locking screws. These must be locked into place at right angles to the track. Insert the luminaire into the track system where required.

Lock into place: turn both locking bars back into place so they are positioned at 0° to the track. The luminaire cannot be moved along the track.

Since it has been hot-plugged, **the spotlight switches on immediately** and can be **configured for the network**.

Casambi: lighting control via Bluetooth Mesh Casambi.

Xicato: lighting control via Bluetooth Mesh Xicato Controls.

buschfeld x Casambi / 1st steps
<https://buschfeld.de/en/how-it-works/48112>

Basic on/off: without lighting control the luminaires cannot be dimmed.

Remove the luminaire. To reposition the luminaire it must be removed from the track and re-applied. By turning the 2 locking bars back into place at right angles to the track. Remove the luminaire. Be careful not to tilt the adapter out of place.

<https://buschfeld.de/en/how-it-works/48113>



Fifty & Thirty-Five: mechanical installation of the luminaire

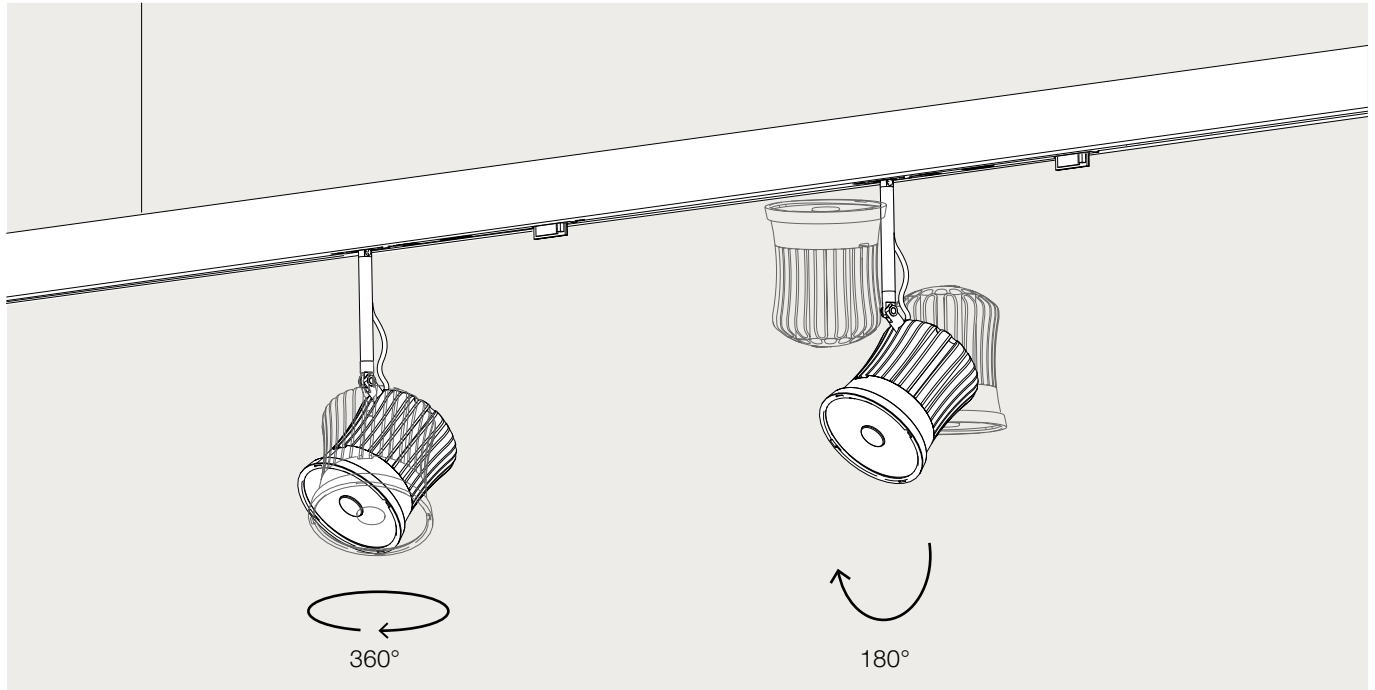
buschfeld Design GmbH Fon +49 221 93764-0 info@buschfeld.de www.buschfeld.de

2 / 5
2106-48113

fifty & thirty-five

Adjusting the luminaire

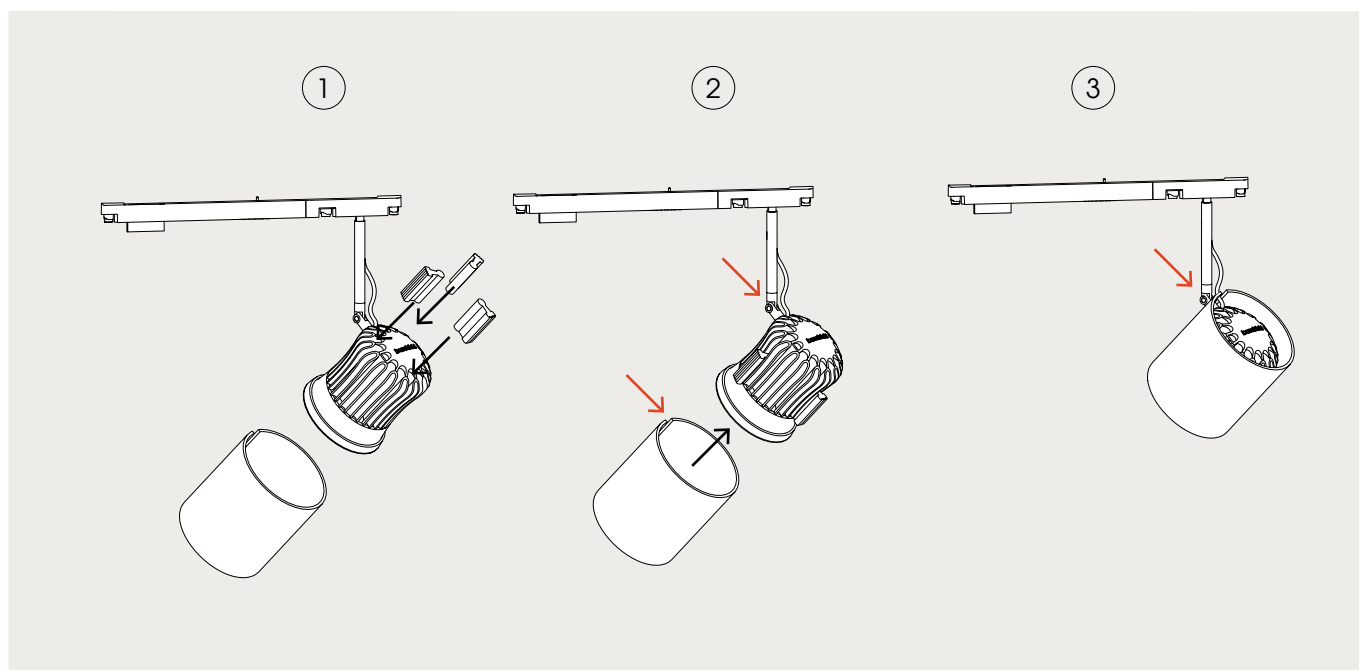
Optional: apply shades, if required, before mounting the luminaires on the track. See page 4 for instructions.



The luminaire can be **rotated 360°**. The luminaire head can be **tilted through 180°**.

fifty & thirty-five

Shades



The **3 plastic holders** are inserted into the heat sink **from the rear side**.
The **shade** is then slid onto the plastic holders **from the front side** of the luminaire.

Cleaning and maintenance

To clean the shade **wipe with a dry, soft cloth**. Heavier soiling can be removed with a damp cloth. Chemical cleaners or solvents are not to be used.

Explanation of key terms

* **Bluetooth wireless technology:**

Casambi: lighting control via Bluetooth Mesh Casambi.
Xicato: lighting control via Bluetooth Mesh Xicato Controls.

Basic on/off: luminaires without lighting control are not dimmable.

Casambi Private set-up
<https://buschfeld.de/en/how-it-works/48103>

Xicato Controls Professional set-up
<https://buschfeld.de/en/how-it-works/48104>

On/Off Basic set-up
<https://buschfeld.de/en/how-it-works/48105>

** **Hot Plugging** describes the installation and/or removal of system components and modules while the system is connected to the power supply. The best known examples of hot-pluggable technologies are general computer interfaces such as USB, FireWire, PCMCIA or even Bluetooth for connecting peripheral devices, or more specific examples, such as SCSI, eSATA and SAS hard drive interfaces.

*** **Maximum load of the system** Given a maximum current of 12.5 A, this is limited to 48 V, thus corresponding to a load of 600 VA.